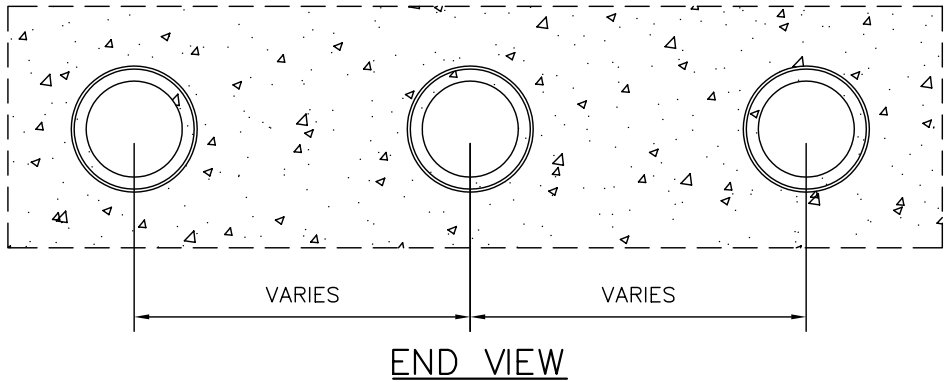
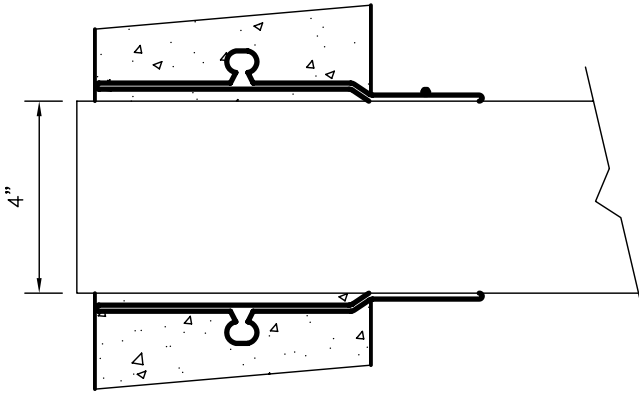
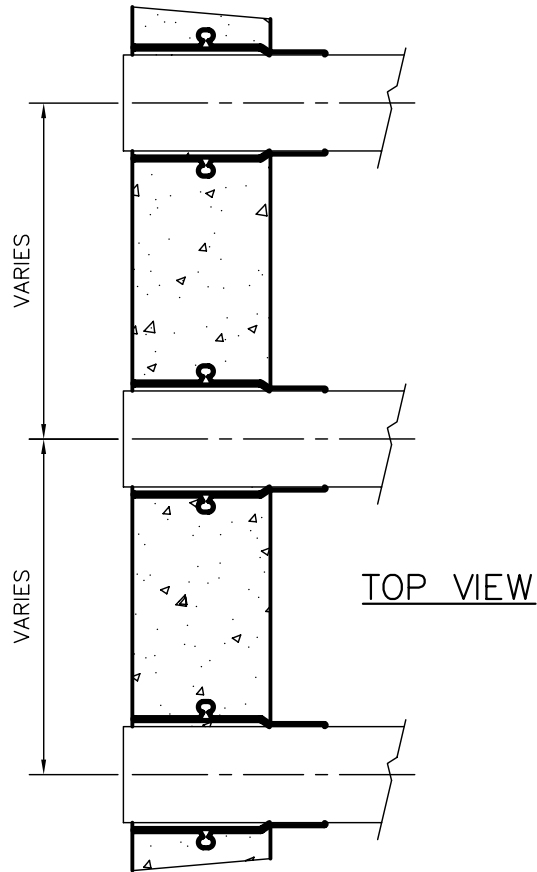


DETAIL 9  
MULTIPLE INLET AND OUTLET DETAIL



INLET AND OUTLET:  
 GASKET, CAST-A-SEAL BOOT OR EQUAL

SCALE: NTS	REV NO.	DATE:
DRAWN BY: SWT		
DATE: JANUARY 2008		
FILE: SHEET 9		
<b>WIESER CONCRETE</b>		
W3716 US HWY10, MAIDEN ROCK, WI 54750 800-325-8456		
MULTIPLE INLET AND OUTLET DETAIL SEPTIC MANUAL REV. JAN. 2008		
SHEET NO. 0 / OF 0		