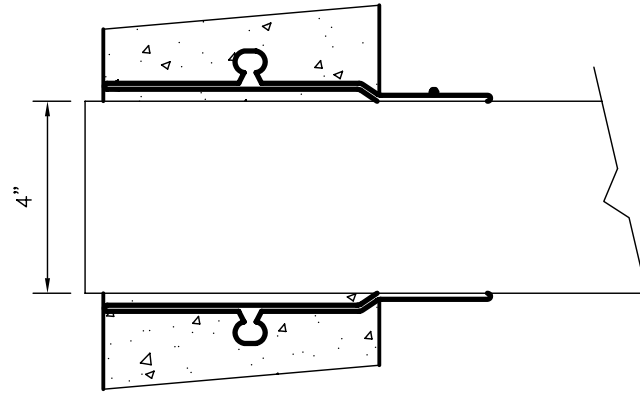
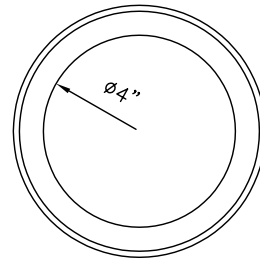


DETAIL 7 INLET AND OUTLET DETAIL



SIDE VIEW



END VIEW

INLET AND OUTLET:
GASKET, CAST-A-SEAL BOOT OR EQUAL

SCALE: 3" = 1'	REV NO.	DATE:
DRAWN BY: SWT		
DATE: JANUARY 2008		
FILE: SHEET 7		

WIESER CONCRETE
W3716 US HWY10, MAIDEN ROCK, WI 54750
800-325-8456

INLET AND OUTLET DETAIL
SEPTIC MANUAL
REV. JAN. 2008

SHEET NO.
0 / OF 0