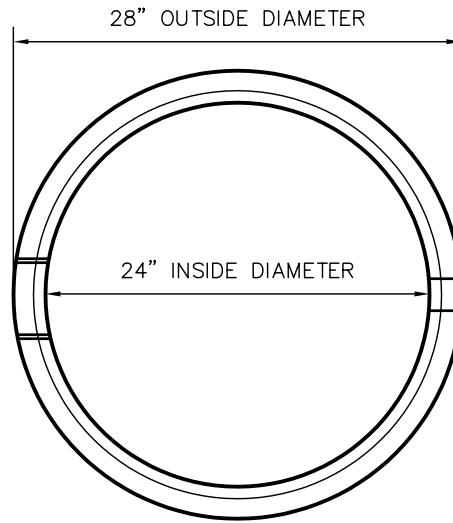
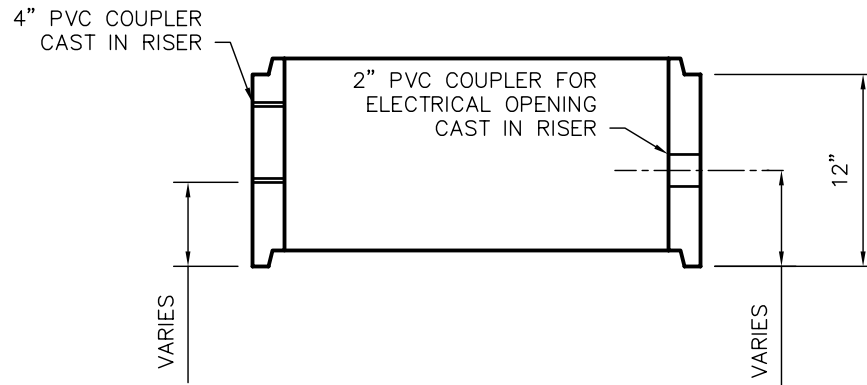


DETAIL 6 RISER WITH 2" AND 4" COUPLINGS



TOP VIEW



SIDE VIEW

| | | | |
|--|---------|-------|--|
| SCALE: NTS | REV NO. | DATE: | |
| DRAWN BY: SWT | | | |
| DATE: JANUARY 2008 | | | |
| FILE: SHEET 6 | | | |
| WIESER CONCRETE <small>W3716 US HWY10, MAIDEN ROCK, WI 54750 800-325-8456</small> | | | |
| RISER WITH 2" AND 4" COUPLINGS SEPTIC MANUAL REV. JAN. 2008 | | | |
| SHEET NO. 0 / 0 OF 0 | | | |