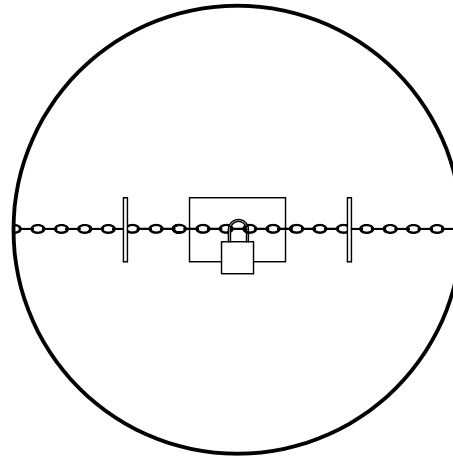
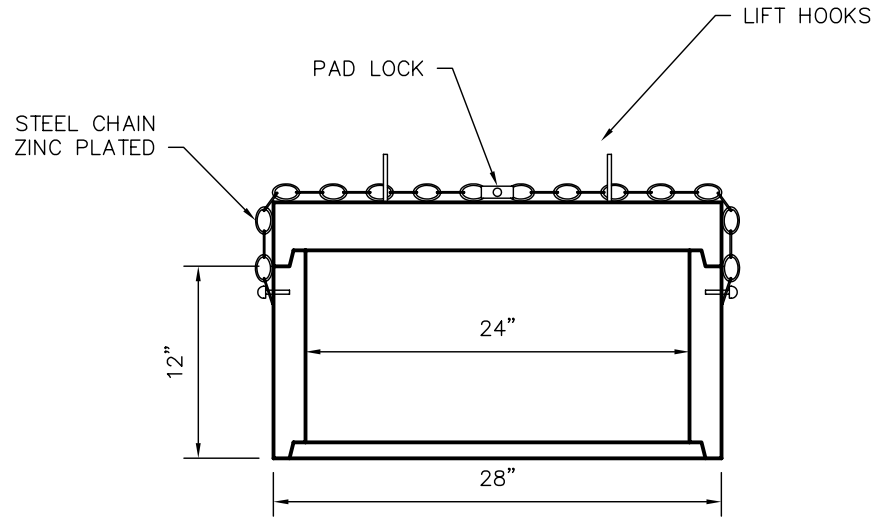


DETAIL 3 LOCK DOWN COVER AND RISER DETAIL



TOP VIEW



SIDE VIEW

CONCRETE SEALANTS TYP.
OR EQUAL FOR ALL JOINTS
(SEE DETAIL 14)

SCALE: 1" = 1'	REV NO.	DATE:
DRAWN BY: SWT		
DATE: JANUARY 2008		
FILE: SHEET 3		
WIESER CONCRETE <small>W3716 US HWY10, MAIDEN ROCK, WI 54750 800-325-8456</small>		
LOCK DOWN COVER AND RISER DETAIL SEPTIC MANUAL REV. JAN. 2008		
SHEET NO. 0 / OF 0		