

# DETAIL 16 6 HOLE DISTRIBUTION BOX

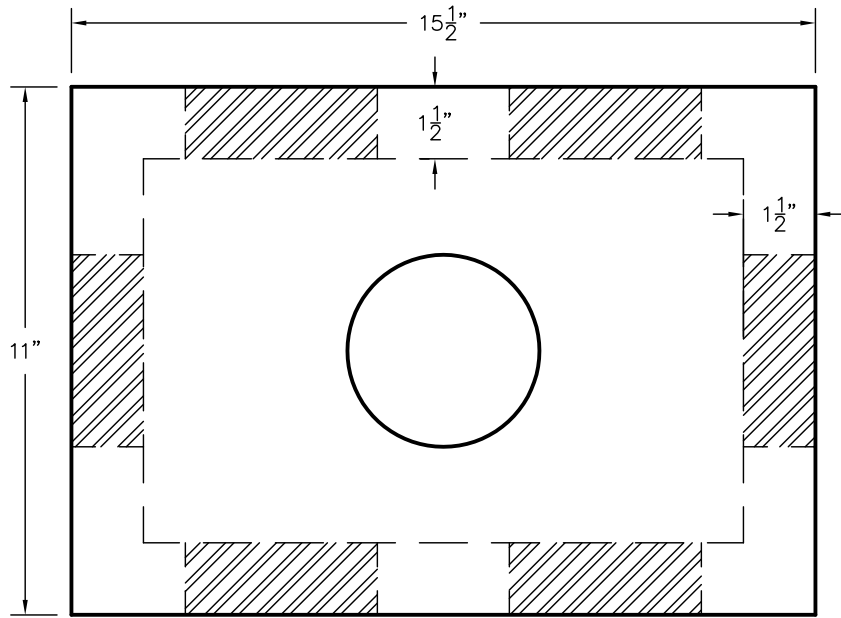
DIMENSIONS:

HEIGHT: 11" O.D.  
 LENGTH: 15 1/2" O.D.  
 WIDTH: 11" O.D.  
 BELOW INLET: 3 1/2" O.D.

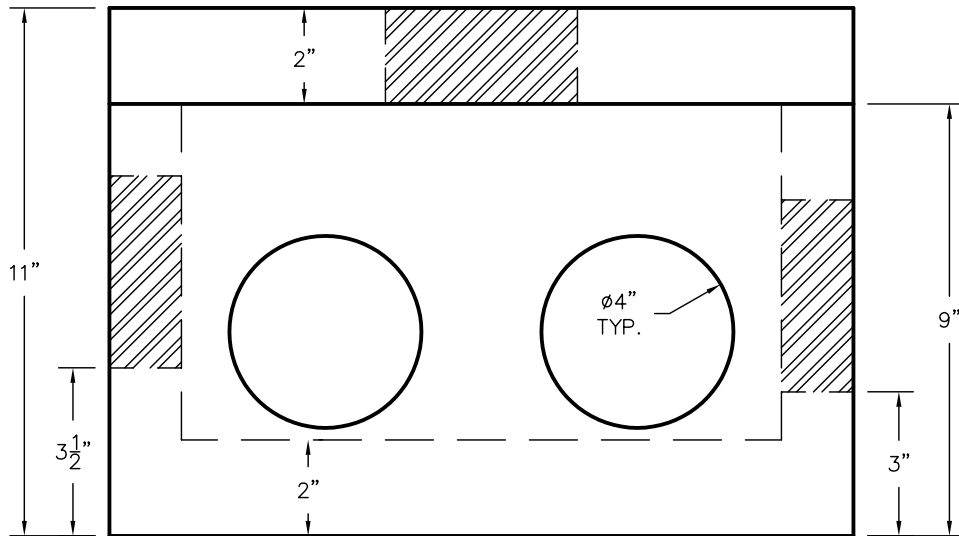
WEIGHT: 102 LBS.

INLET AND OUTLET:

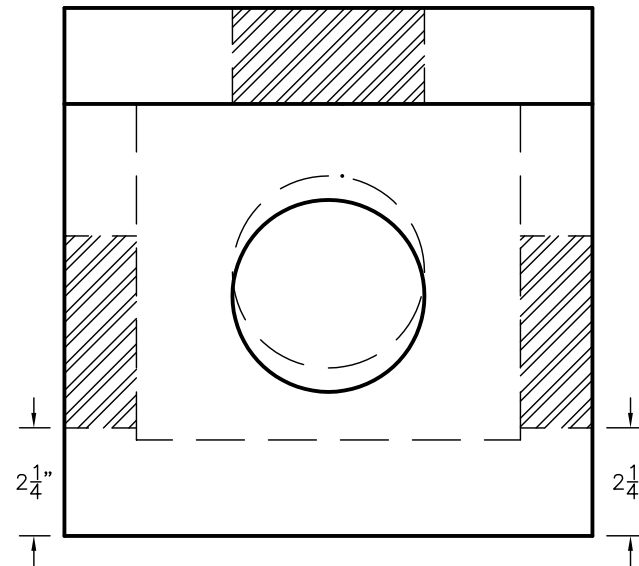
4" CAST-A-SEAL BOOT OR EQUAL



TOP VIEW



SIDE VIEW



END VIEW

SCALE: 3" = 1'	REV NO.	DATE:
DRAWN BY: SWT		
DATE: JANUARY 2008		
FILE: SHEET 16		
<b>WIESER CONCRETE</b>		
W3716 US HWY10, MAIDEN ROCK, WI 54750 800-325-8456		
6 HOLE DISTRIBUTION BOX		
SEPTIC MANUAL		
REV. JAN. 2008		
SHEET NO. 0 OF 0		