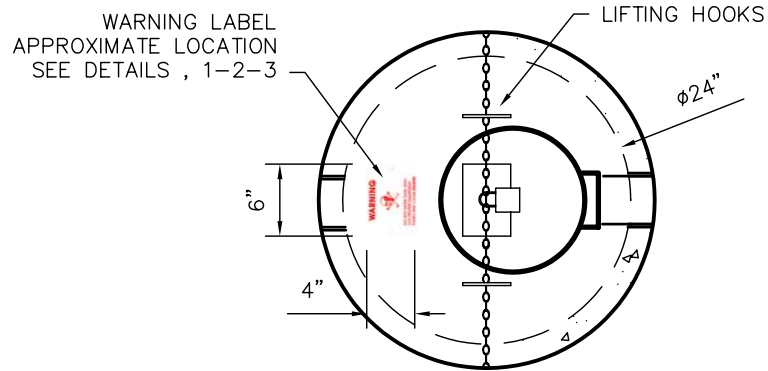
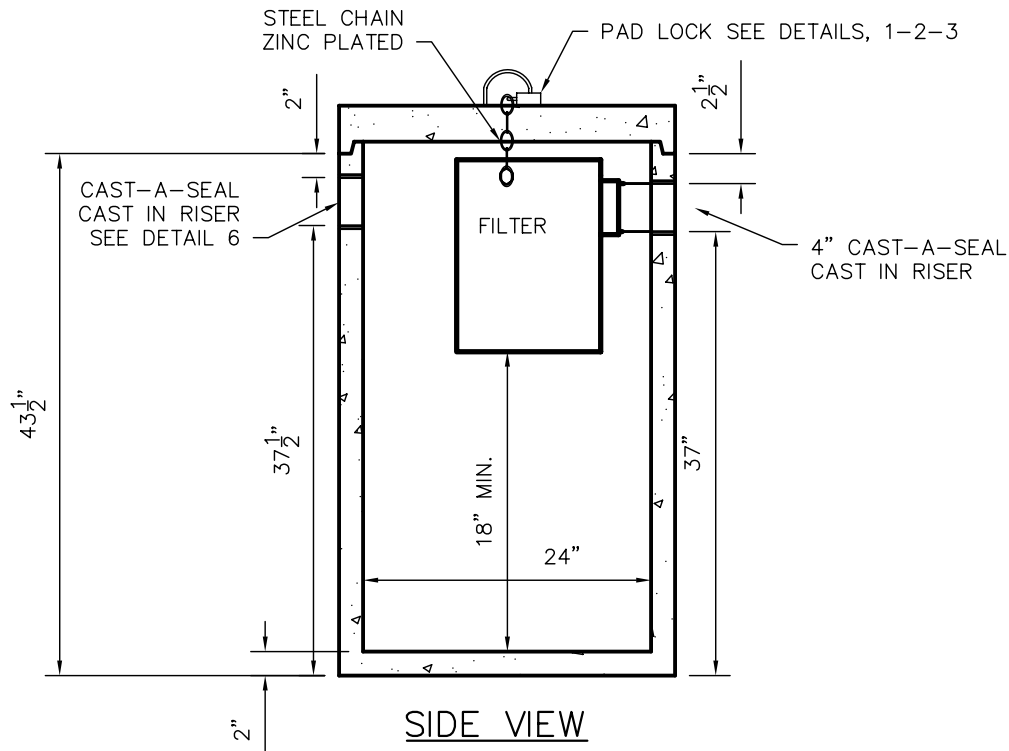


DETAIL 13 FILTER CANISTER DETAIL



TOP VIEW

CONCRETE SEALANTS TYP.
OR EQUAL FOR ALL JOINTS
(SEE DETAIL 5)



SCALE: 3/4" = 1'	REV NO.	DATE:
DRAWN BY: SWT		
DATE: JANUARY 2008		
FILE: SHEET 13		
WIESER CONCRETE		
W3716 US HWY10, MAIDEN ROCK, WI 54750 800-325-8456		
FILTER CANISTER DETAIL	SEPTIC MANUAL REV. JAN. 2008	
SHEET NO.	OF	
0	0	