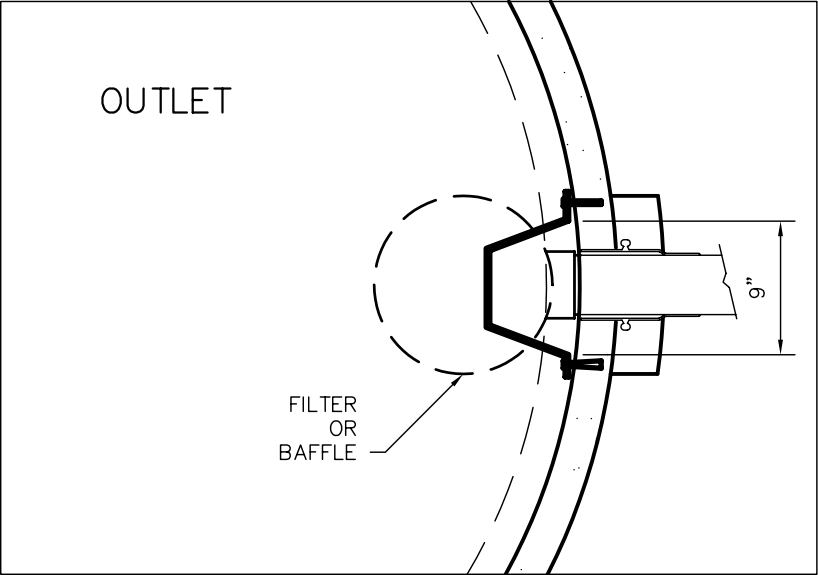
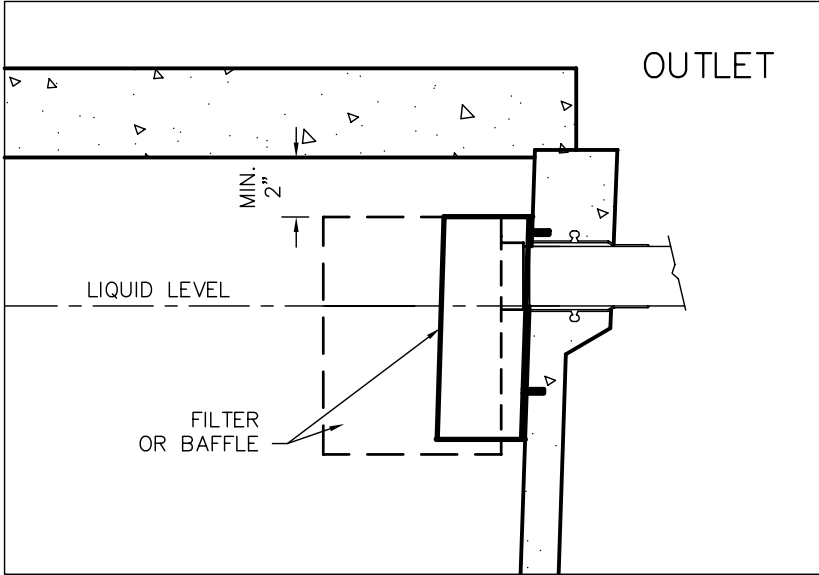


DETAIL 10 WISCONSIN BAFFLE AND FASTENER DETAIL

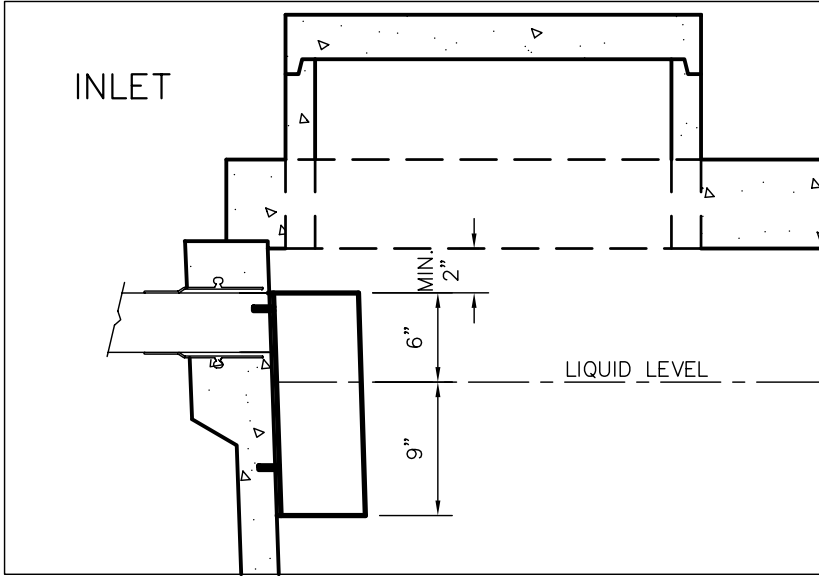
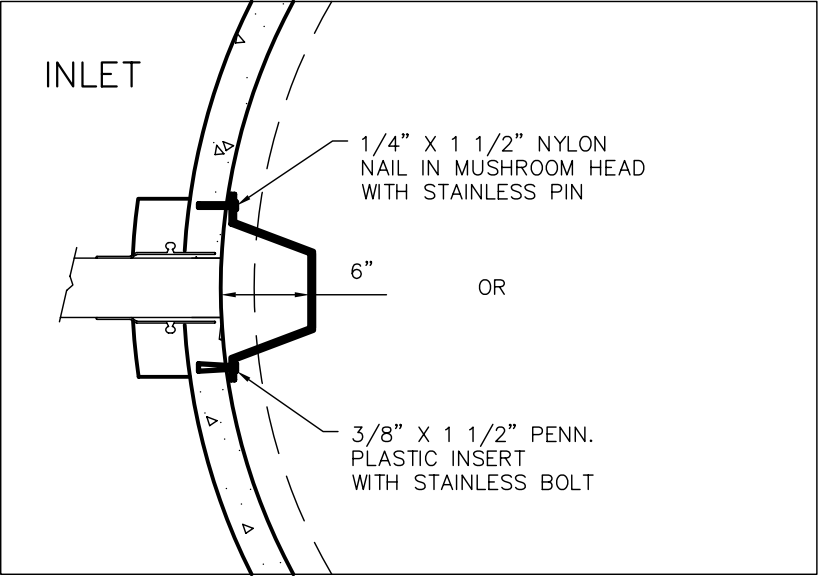
SEE BAFFLE CHART FOR OTHER STATES



TOP VIEW



SIDE VIEW



SCALE: NTS	REV NO.	DATE:	
DRAWN BY: SWT			
DATE: JANUARY 2008			
FILE: SHEET 10			

WIESER CONCRETE
 W3716 US HWY10, MAIDEN ROCK, WI 54750
 800-325-8456

WISCONSIN BAFFLE AND
 FASTENER DETAIL
 SEPTIC MANUAL
 REV. JAN. 2008