

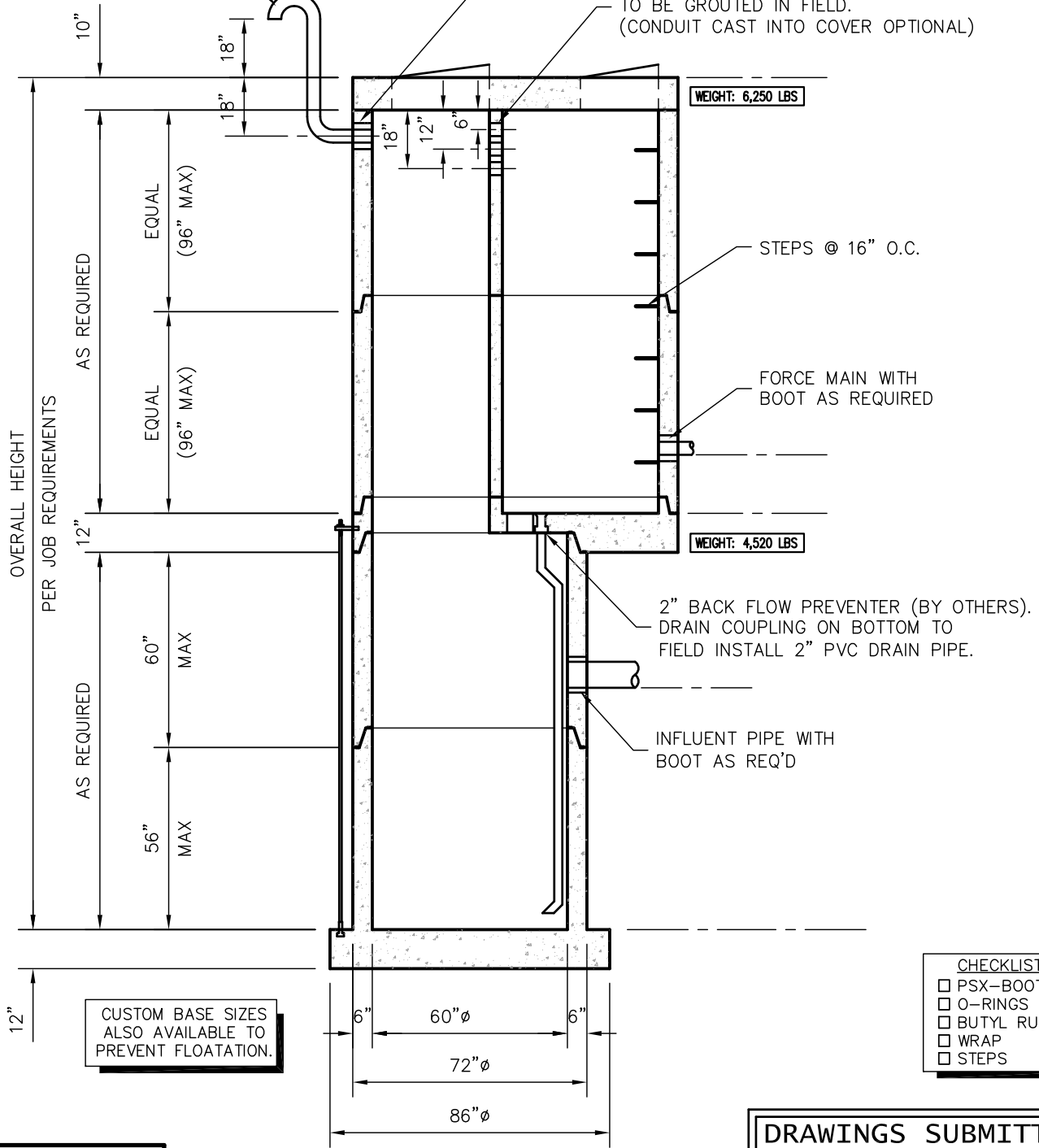
STANDARD DRAWING

72x100x60 I.V.V.

4" STAINLESS STEEL VENT WITH BIRDSCREEN (PAINTED OPTIONAL)

4" CAST-A-SEAL BOOT

(3) 3 1/2" HOLES FOR CONDUIT TO BE GROUTED IN FIELD. (CONDUIT CAST INTO COVER OPTIONAL)



CUSTOM BASE SIZES ALSO AVAILABLE TO PREVENT FLOATATION.

- CHECKLIST**
- PSX-BOOT
 - O-RINGS
 - BUTYL RUBBER
 - WRAP
 - STEPS

1 OVERALL SIDE VIEW 1/4"=1'-0"

DRAWINGS SUBMITTED FOR APPROVAL

APPROVED BY: _____

APPROVAL DATE: _____

PRODUCTS NEEDED BY: _____

PRE-POUR	
WALL THICKNESS:	_____
REINFORCING:	_____
POST-POUR	
WALL THICKNESS:	_____

SHEET NO. 1 OF 3

STANDARD DRAWING
72x100x60 I.V.V.

PH: -
FAX: -

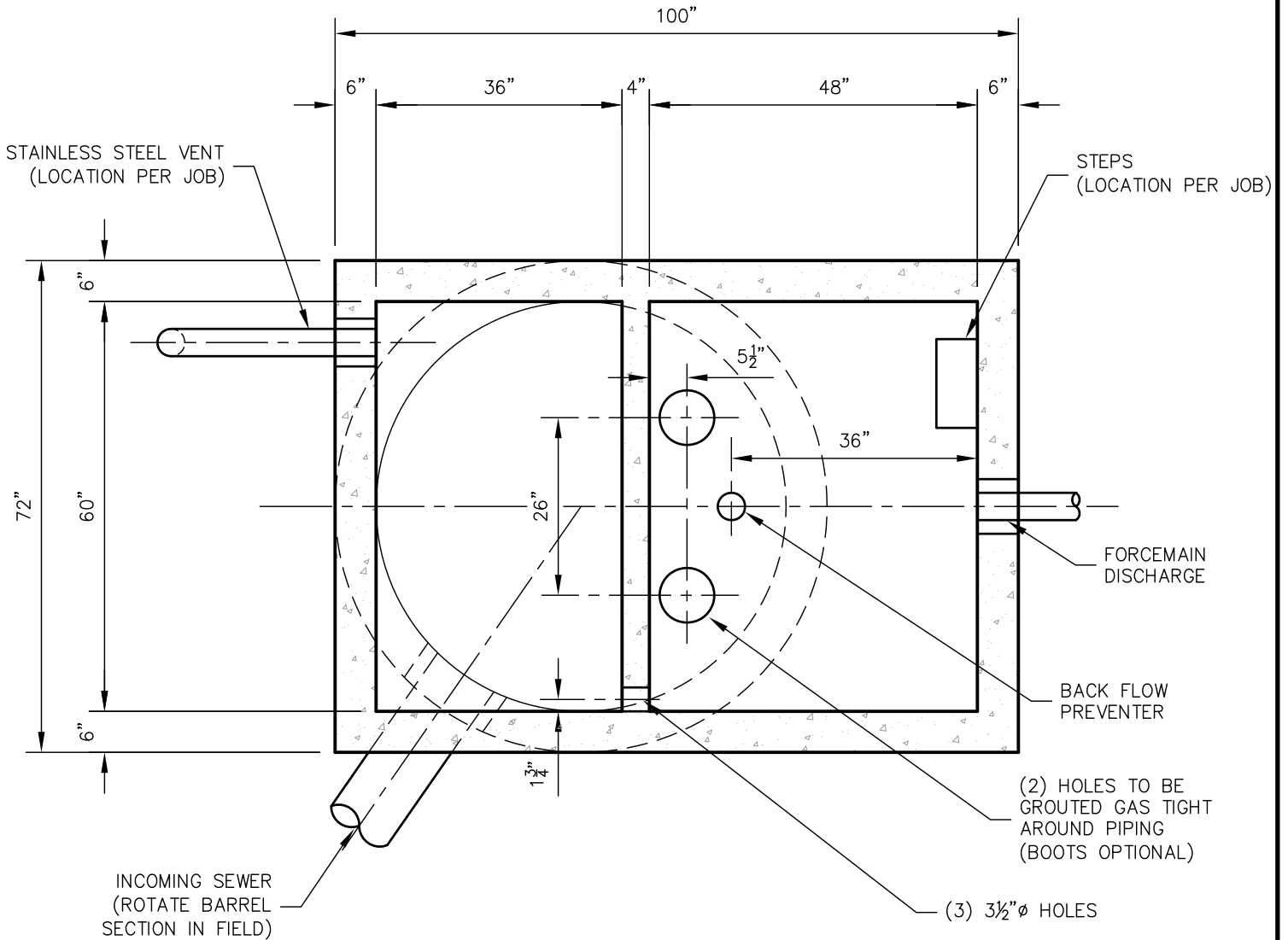
WIESER CONCRETE

2815 RILEY ROAD PORTAGE, WI 53901

800-362-7220

DRAWN BY: S. EBERT	SCALE: 1/4"=1'-0"	PRE-POUR:
DATE: JANUARY, 2008	REV. DATE:	POST-POUR:
FILE: \Standard IVV Drawings\2008\72x100x60 Standard IVV.DWG		

STANDARD DRAWING
72x100x60 I.V.V.



(A) BOX/TRANSITION DETAIL
1/2"=1'-0"

PRE-POUR
WALL THICKNESS: _____
REINFORCING: _____
POST-POUR
WALL THICKNESS: _____

SHEET NO.
2 OF 3

STANDARD DRAWING
72x100x60 I.V.V.

PH: -
FAX: -

WIESER CONCRETE
2815 RILEY ROAD PORTAGE, WI 53901
800-362-7220

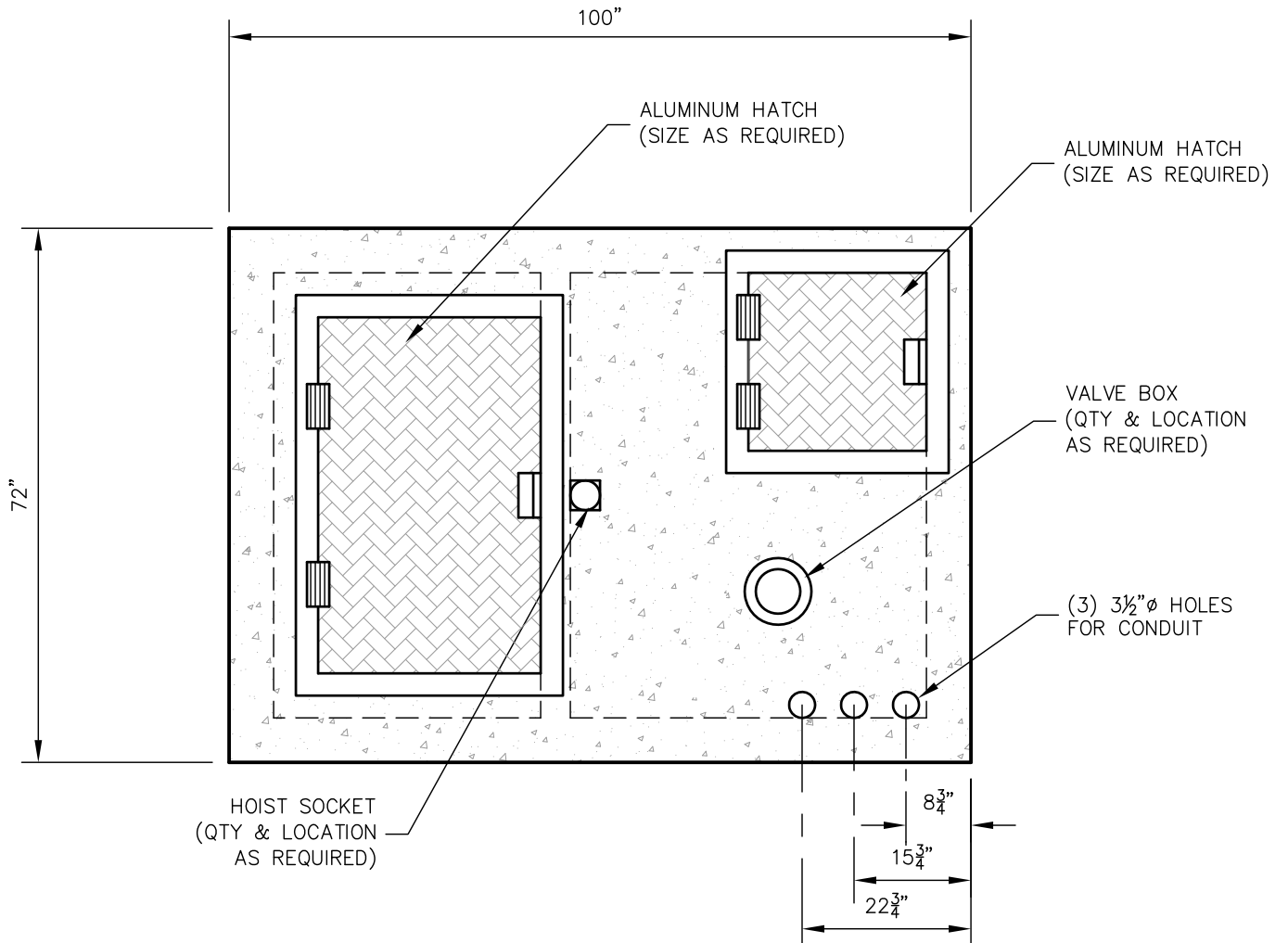
DRAWN BY: S. EBERT
DATE: JANUARY, 2008

SCALE: 1/2"=1'-0"
REV.
DATE:

PRE-POUR:
POST-POUR:

FILE: \Standard IVV Drawings\2008\72x100x60 Standard IVV.DWG

STANDARD DRAWING
72x100x60 I.V.V.



(B) COVER DETAIL
1/2"=1'-0"

PRE-POUR
WALL THICKNESS: _____
REINFORCING: _____
POST-POUR
WALL THICKNESS: _____

SHEET NO.
3 OF 3

STANDARD DRAWING
72x100x60 I.V.V.
PH: -
FAX: -

WIESER CONCRETE
2815 RILEY ROAD PORTAGE, WI 53901
800-362-7220

DRAWN BY: S. EBERT
DATE: JANUARY, 2008

SCALE: 1/2"=1'-0"
REV.
DATE:

PRE-POUR:
POST-POUR:

FILE: \Standard IVV Drawings\2008\72x100x60 Standard IVV.DWG