

# WLP2000-MR TANK SPECIFICATIONS

**DIMENSIONS:**  
 WALL: 3"  
 BOTTOM: SEPTIC 3"  
           HEAVY DUTY 5" (ADD 2,800 LBS.)  
 COVER: 6"  
 MANHOLE: 24" I.D. PRECAST CONCRETE RISER  
 HEIGHT: 53" O.D.  
 LENGTH: 164" O.D.  
 WIDTH: 96" O.D.  
 BELOW INLET: 41" O.D.  
 LIQUID LEVEL: 36"  
 WEIGHT: BOTTOM 11,260 LBS.  
           COVER 8,170 LBS.

**INLET AND OUTLET:**  
 4" CAST-A-SEAL BOOT OR EQUAL  
 GASKET, CAST-A-SEAL BOOT OR EQUAL  
**INLET AND OUTLET BAFFLE AND FILTER:**  
 WISCONSIN, SEE DETAIL #10  
 (OTHER STATES SEE CHART)

LIQUID CAPACITY: 56.27 GAL/IN

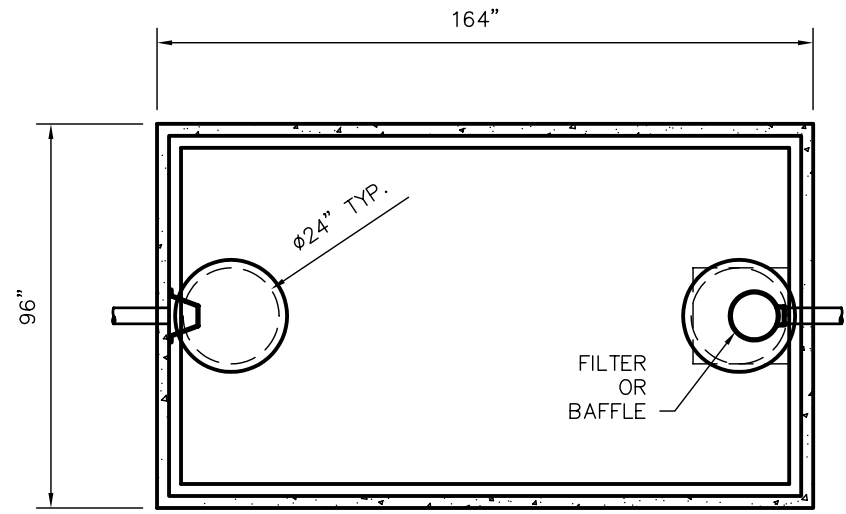
LOADING DESIGN: 8' 0" UNSATURATED SOIL

**HOLDING TANK:**  
 OUTLET HOLE PLUGGED  
 ACTUAL CAPACITY: 2,311 GALLONS

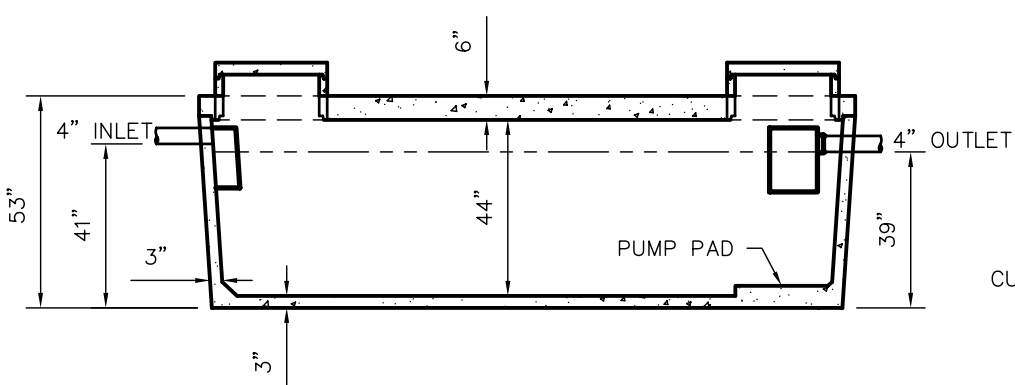
**MN TANKS:**  
 WILL HAVE ONE VENT OVER OUTLET  
 AND WILL HAVE TWO VENTS IN COVER OVER INLET

**TANK CAN BE USED AS:**  
 SEPTIC/ HOLDING/ PUMP OR SIPHON

**CUSTOMIZED TANKS:**  
 TANKS CAN BE CUSTOMIZED CONTACT WIESER CONCRETE



TOP VIEW



SIDE VIEW

TANKS ARE MANUFACTURED TO MEET OR EXCEED ASTM C-1227 REQUIREMENTS

|                                       |                |       |  |
|---------------------------------------|----------------|-------|--|
| SCALE: 1/4" = 1'                      | REV NO.        | DATE: |  |
| DRAWN BY: SWT                         |                |       |  |
| DATE: JANUARY 2008                    |                |       |  |
| FILE: WLP2000-MR                      |                |       |  |
| <b>WIESER CONCRETE</b>                |                |       |  |
| W3716 US HWY10, MAIDEN ROCK, WI 54750 |                |       |  |
| 800-325-8456                          |                |       |  |
| WLP2000-MR                            | SEPTIC MANUAL  |       |  |
|                                       | REV. JAN. 2008 |       |  |
| SHEET NO.                             |                |       |  |
| 0 OF 0                                |                |       |  |