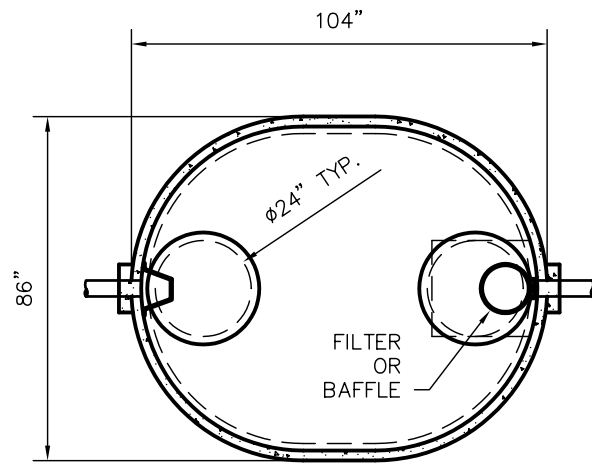
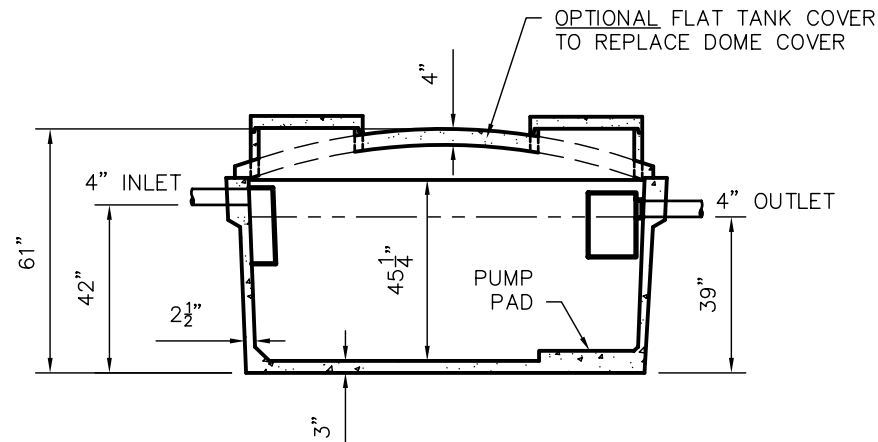


# WLP1000-MR TANK SPECIFICATIONS



TOP VIEW



SIDE VIEW

**DIMENSIONS:**  
 WALL: 2 1/2"  
 BOTTOM: SEPTIC 3"  
           HOLDING 5" (ADD 1,300 LB.)  
 COVER: 4"  
 MANHOLE: 24" I.D. PRECAST CONCRETE RISER  
 HEIGHT: DOME COVER 61" O.D.  
           FLAT COVER 53 1/4" O.D.  
 LENGTH: 104" O.D.  
 WIDTH: 86" O.D.  
 BELOW INLET: 42" O.D.  
 LIQUID LEVEL: 36"  
 WEIGHT: 6,790 LBS.

**INLET AND OUTLET:**  
 4" CAST-A-SEAL BOOT OR EQUAL  
 GASKET, CAST-A-SEAL BOOT OR EQUAL

**INLET AND OUTLET BAFFLE AND FILTER:**  
 WISCONSIN, SEE DETAIL #10  
 (OTHER STATES SEE CHART)

**LIQUID CAPACITY:** 27.83 GAL/IN

**HOLDING TANK:**  
 OUTLET HOLE PLUGGED  
 ACTUAL CAPACITY: 1,024 GALLONS

**LOADING DESIGN:** 8' 0" UNSATURATED SOIL

**MN TANKS:**  
 WILL HAVE ONE VENT OVER OUTLET  
 AND WILL HAVE TWO VENTS IN COVER OVER INLET

**TANK CAN BE USED AS:**  
 SEPTIC/ HOLDING/ PUMP OR SIPHON

**CUSTOMIZED TANKS:**  
 TANKS CAN BE CUSTOMIZED CONTACT WIESER CONCRETE

TANKS ARE MANUFACTURED TO MEET OR EXCEED ASTM C-1227 REQUIREMENTS

|                                       |                |       |  |
|---------------------------------------|----------------|-------|--|
| SCALE: 1/4" = 1'                      | REV. NO.       | DATE: |  |
| DRAWN BY: SWT                         |                |       |  |
| DATE: JANUARY 2008                    |                |       |  |
| FILE: WLP1000-MR                      |                |       |  |
| <b>WIESER CONCRETE</b>                |                |       |  |
| W3716 US HWY10, MAIDEN ROCK, WI 54750 |                |       |  |
| 800-325-8456                          |                |       |  |
| WLP1000-MR                            | SEPTIC MANUAL  |       |  |
|                                       | REV. JAN. 2008 |       |  |
| SHEET NO.                             |                |       |  |
| 0                                     | OF             |       |  |
| 0                                     |                |       |  |