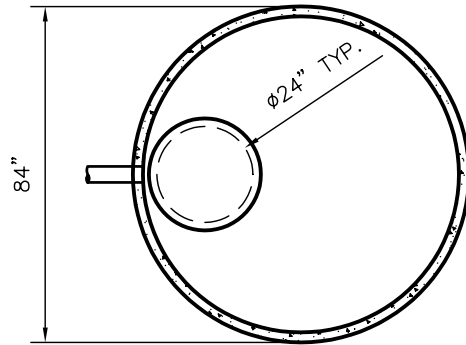


W2600-MR TANK SPECIFICATIONS



TOP VIEW

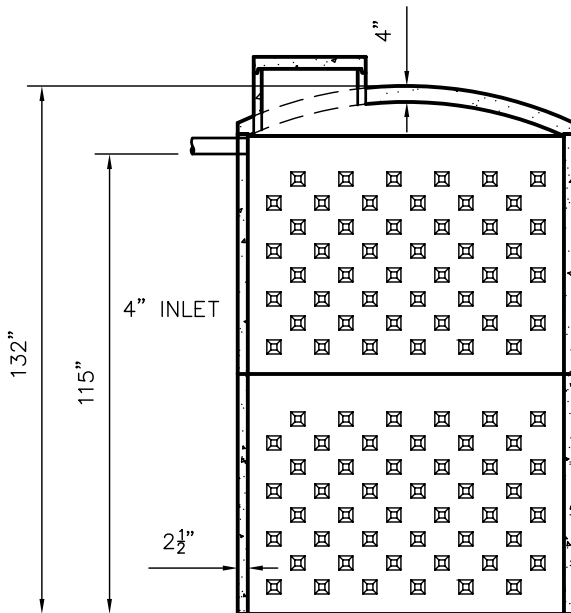
DIMENSIONS:

WALL: 2 1/2"
 BOTTOM: NONE
 COVER: 4"
 MANHOLE: 24" I.D. PRECAST CONCRETE RISER
 HEIGHT: 132" O.D.
 OUTSIDE DIAMETER: 84" O.D.
 BELOW INLET: 115" O.D.

WEIGHT: 6,150 LBS.

INLET:

4" CAST-A-SEAL BOOT OR EQUAL
 GASKET, CAST-A-SEAL BOOT OR EQUAL



SIDE VIEW

LOADING DESIGN: 8' 0" UNSATURATED SOIL

TANK CAN BE USED AS:
 DRY WELL

CUSTOMIZED TANKS:
 TANKS CAN BE CUSTOMIZED CONTACT WIESER CONCRETE

SCALE: 1/4" = 1'	REV NO.	DATE:	
DRAWN BY: SWT			
DATE: JANUARY 2008			
FILE: W2600-MR			
WIESER CONCRETE			
W3716 US HWY10. MAIDEN ROCK, WI 54750			
800-325-8456			
W2600-MR	SEPTIC MANUAL		
	REV. JAN. 2008		
SHEET NO.			
0 OF 0			

TANKS ARE MANUFACTURED TO MEET OR EXCEED ASTM C-1227 REQUIREMENTS