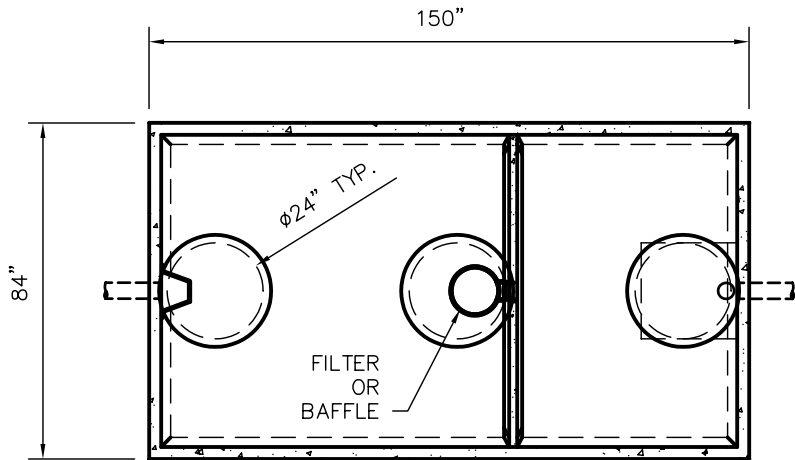
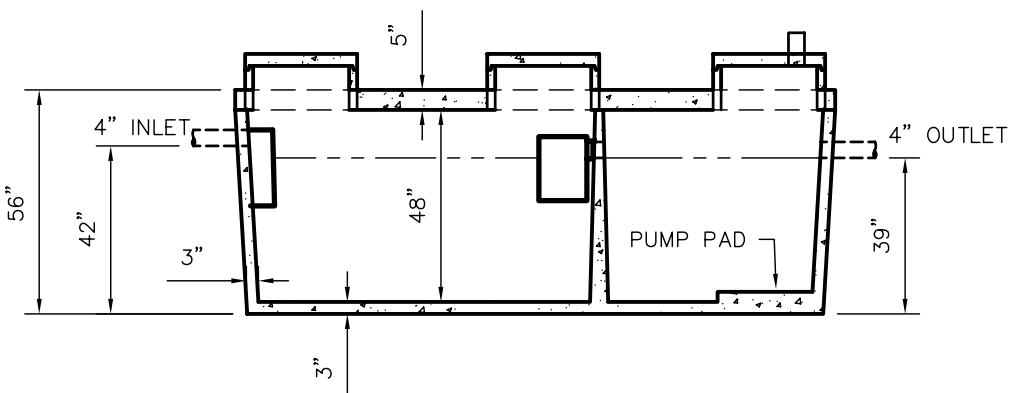


WLP1000 600-MR TANK SPECIFICATIONS



TOP VIEW



SIDE VIEW

DIMENSIONS:

- WALL: 3"
- BOTTOM: 3"
- COVER: 5"
- MANHOLE: 24" I.D. PRECAST CONCRETE RISER
- HEIGHT: 56" O.D.
- LENGTH: 150" O.D.
- WIDTH: 84" O.D.
- BELOW INLET: 42" O.D.
- LIQUID LEVEL: 36"
- WEIGHT: BOTTOM 14,970 LBS.

INLET AND OUTLET:

4" CAST-A-SEAL BOOT OR EQUAL
GASKET, CAST-A-SEAL BOOT OR EQUAL

INLET AND OUTLET BAFFLE AND FILTER:

WISCONSIN, SEE DETAIL #10
(OTHER STATES SEE CHART)

LIQUID CAPACITY: 27.88 GAL/IN (SEPTIC)
16.76 GAL/IN (PUMP)

LOADING DESIGN: 8' 0" UNSATURATED SOIL

MN TANKS:

WILL HAVE ONE VENT OVER OUTLET
AND WILL HAVE TWO VENTS IN COVER OVER INLET

TANK CAN BE USED AS:

SEPTIC/ HOLDING/ PUMP OR SIPHON
OR SEPTIC/SIPHON

CUSTOMIZED TANKS:

TANKS CAN BE CUSTOMIZED CONTACT WESER CONCRETE

TANKS ARE MANUFACTURED TO MEET OR EXCEED ASTM C-1227 REQUIREMENTS

SCALE: 1/4" = 1'	REV NO.	DATE:	
DRAWN BY: SWT			
DATE: JANUARY 2008			
FILE: WLP1000 600-MR			
WESER CONCRETE			
W3716 US HWY10. MAIDEN ROCK, WI 54750			
800-325-8456			
WLP1000 600-MR	SEPTIC MANUAL		
	REV. JAN. 2008		
SHEET NO.			
0	OF		
0			