

# WLP785-FDL TANK SPECIFICATIONS

**DIMENSIONS:**

WALL: 2 1/2"  
 BOTTOM: 2 1/2"  
 COVER: 5"  
 MANHOLE: 24" I.D. PRECAST CONCRETE RISER  
 HEIGHT: 51" O.D.  
 LENGTH: 97" O.D.  
 WIDTH: 61" O.D.  
 BELOW INLET: 41" O.D.  
 LIQUID LEVEL: 36 1/2"  
 WEIGHT: 7,000 LBS.

**INLET AND OUTLET:**  
 4" CAST-A-SEAL BOOT OR EQUAL  
 GASKET, CAST-A-SEAL BOOT OR EQUAL

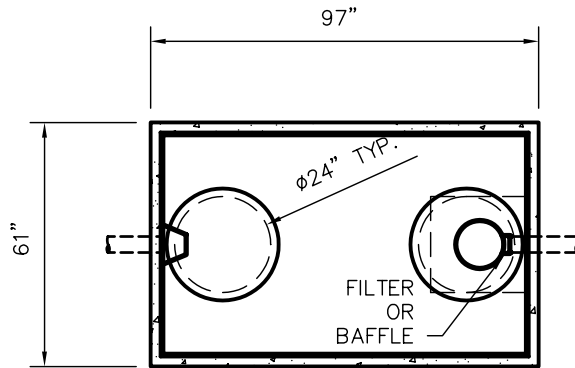
**INLET AND OUTLET BAFFLE AND FILTER:**  
 WISCONSIN, SEE DETAIL #10

LIQUID CAPACITY: 21.50 GAL/IN

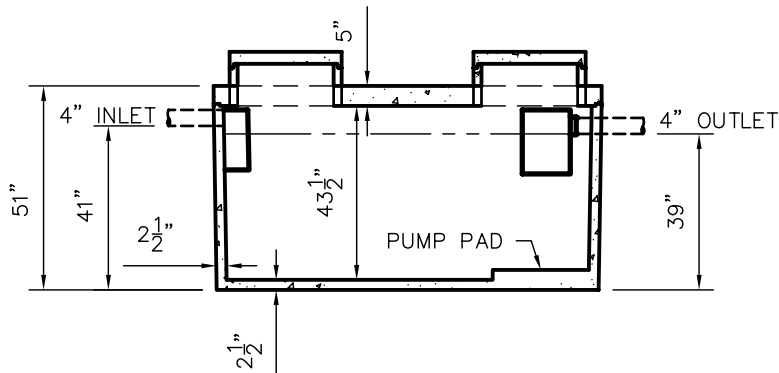
LOADING DESIGN: 8' 0" UNSATURATED SOIL

**HOLDING TANK:**  
 OUTLET HOLE PLUGGED  
 ACTUAL CAPACITY: 785 GALLONS

**TANK CAN BE USED AS:**  
 SEPTIC/ HOLDING/ PUMP OR SIPHON



TOP VIEW



SIDE VIEW

CUSTOMIZED TANKS:  
 TANKS CAN BE CUSTOMIZED CONTACT WIESER CONCRETE  
 TANKS ARE MANUFACTURED TO MEET OR EXCEED ASTM C-1227 REQUIREMENTS

SCALE: 1/4" = 1'	REV. NO.	DATE:	
DRAWN BY: SWT			
DATE: JANUARY 2008			
FILE: WLP785-FDL			
<b>WIESER CONCRETE</b>			
W3716 US HWY10, MAIDEN ROCK, WI 54750			
800-325-8456			
WLP785-FDL	SEPTIC MANUAL		
	REV. JAN. 2008		
SHEET NO.			
0	OF		
0			