

WLP1650-FDL TANK SPECIFICATIONS

DIMENSIONS:
 WALL: 3"
 BOTTOM: 3"
 COVER: 5"
 MANHOLE: 24" I.D. PRECAST CONCRETE RISER
 HEIGHT: 57" O.D.
 LENGTH: 160" O.D.
 WIDTH: 72" O.D.
 BELOW INLET: 46" O.D.
 LIQUID LEVEL: 41"
 WEIGHT: 15,000 LBS.

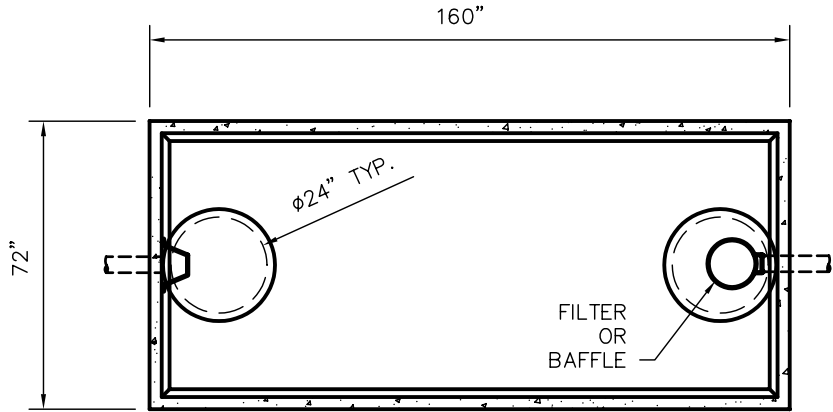
INLET AND OUTLET:
 4" CAST-A-SEAL BOOT OR EQUAL
 GASKET, CAST-A-SEAL BOOT OR EQUAL
 INLET AND OUTLET BAFFLE AND FILTER:
 WISCONSIN, SEE DETAIL #10

LIQUID CAPACITY: 42.00 GAL/IN

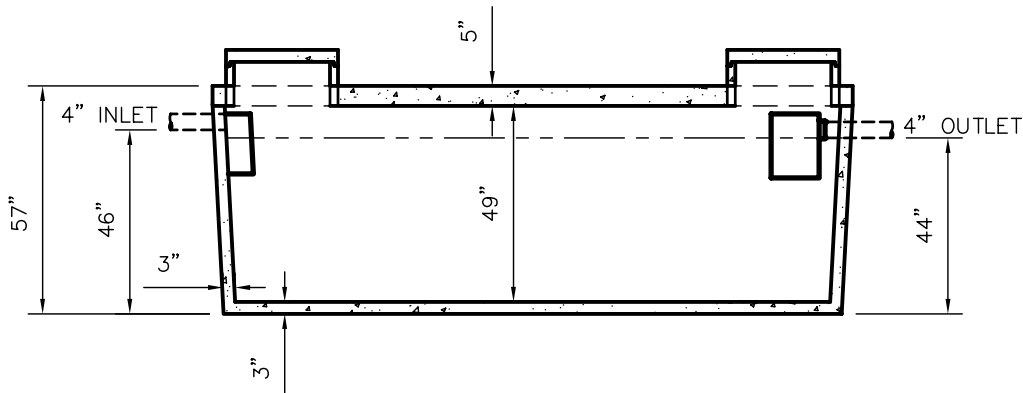
LOADING DESIGN: 8' 0" UNSATURATED SOIL

HOLDING TANK:
 OUTLET HOLE PLUGGED
 ACTUAL CAPACITY: 1,781 GALLONS

TANK CAN BE USED AS:
 SEPTIC/ HOLDING/ PUMP OR SIPHON



TOP VIEW



SIDE VIEW

CUSTOMIZED TANKS:
 TANKS CAN BE CUSTOMIZED CONTACT WIESER CONCRETE
 TANKS ARE MANUFACTURED TO MEET OR EXCEED ASTM C-1227 REQUIREMENTS

SCALE: 1/4" = 1'	REV NO.	DATE:	
DRAWN BY: SWT			
DATE: JANUARY 2008			
FILE: WLP1650-FDL			
WIESER CONCRETE			
W3716 US HWY10. MAIDEN ROCK, WI 54750			
800-325-8456			
WLP1650-FDL	SEPTIC MANUAL		
	REV. JAN. 2008		
SHEET NO.			
0	OF		
0			