

# WLP1000-FDL TANK SPECIFICATIONS

**DIMENSIONS:**  
 WALL: 2 1/2"  
 BOTTOM: 2 1/2"  
 COVER: 6"  
 MANHOLE: 24" I.D. PRECAST CONCRETE RISER  
 HEIGHT: 54" O.D.  
 LENGTH: 118" O.D.  
 WIDTH: 64" O.D.  
 BELOW INLET: 40" O.D.  
 LIQUID LEVEL: 36 1/2"  
 WEIGHT: 8,000 LBS.

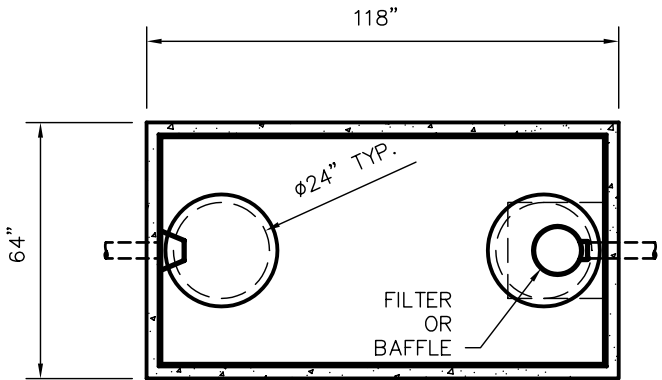
**INLET AND OUTLET:**  
 4" CAST-A-SEAL BOOT OR EQUAL  
 GASKET, CAST-A-SEAL BOOT OR EQUAL  
**INLET AND OUTLET BAFFLE AND FILTER:**  
 WISCONSIN, SEE DETAIL #10

LIQUID CAPACITY: 28.00 GAL/IN

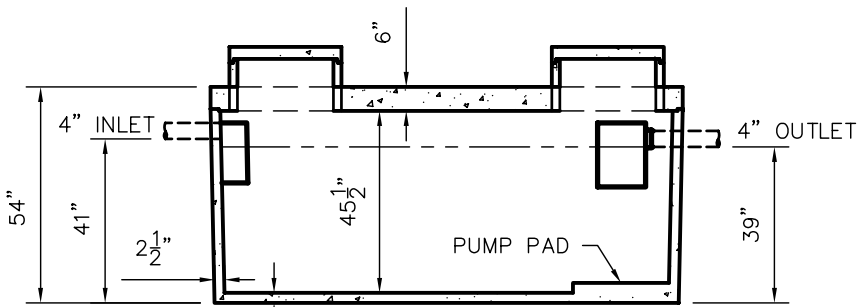
LOADING DESIGN: 8' 0" UNSATURATED SOIL

**HOLDING TANK:**  
 OUTLET HOLE PLUGGED  
 ACTUAL CAPACITY: 1,113 GALLONS

**TANK CAN BE USED AS:**  
 SEPTIC/ HOLDING/ PUMP OR SIPHON



TOP VIEW



SIDE VIEW

CUSTOMIZED TANKS:  
 TANKS CAN BE CUSTOMIZED CONTACT WESER CONCRETE  
 TANKS ARE MANUFACTURED TO MEET OR EXCEED ASTM C-1227 REQUIREMENTS

SCALE: 1/4" = 1'	REV NO.	DATE:	
DRAWN BY: SWT			
DATE: JANUARY 2008			
FILE: WLP1000-FDL			
<b>WESER CONCRETE</b>			
W3716 US HWY10. MAIDEN ROCK, WI 54750			
800-325-8456			
WLP1000-FDL	SEPTIC MANUAL		
	REV. JAN. 2008		
SHEET NO.			
0	OF		
0			