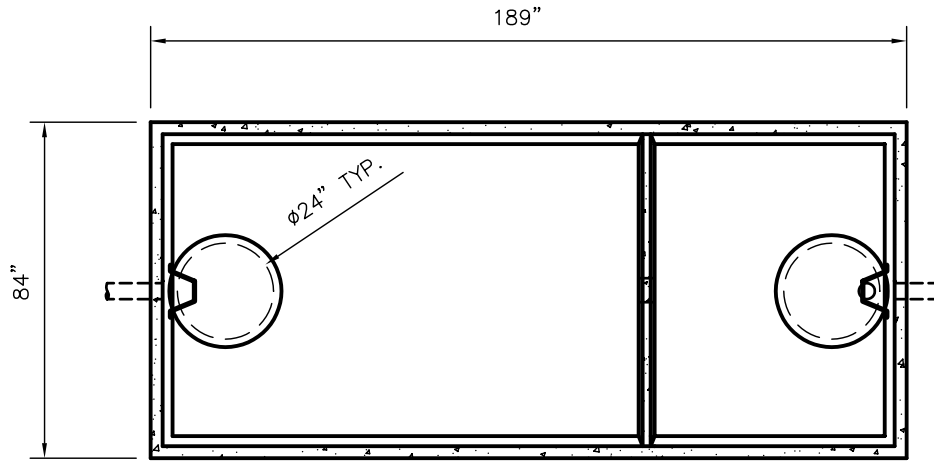


# W3000-FDL GREASE INTERCEPTOR TANK SPECIFICATIONS



TOP VIEW

**DIMENSIONS:**

- WALL: 3"
- BOTTOM: 3"
- COVER: 6"
- MANHOLE: 24" I.D. PRECAST CONCRETE RISER
- HEIGHT: 71" O.D.
- LENGTH: 189" O.D.
- WIDTH: 84" O.D.
- BELOW INLET: 58" O.D.
- LIQUID LEVEL: 53"
- WEIGHT: 23,360 LBS.

**INLET AND OUTLET:**

- 4" CAST-A-SEAL BOOT OR EQUAL
- GASKET, CAST-A-SEAL BOOT OR EQUAL

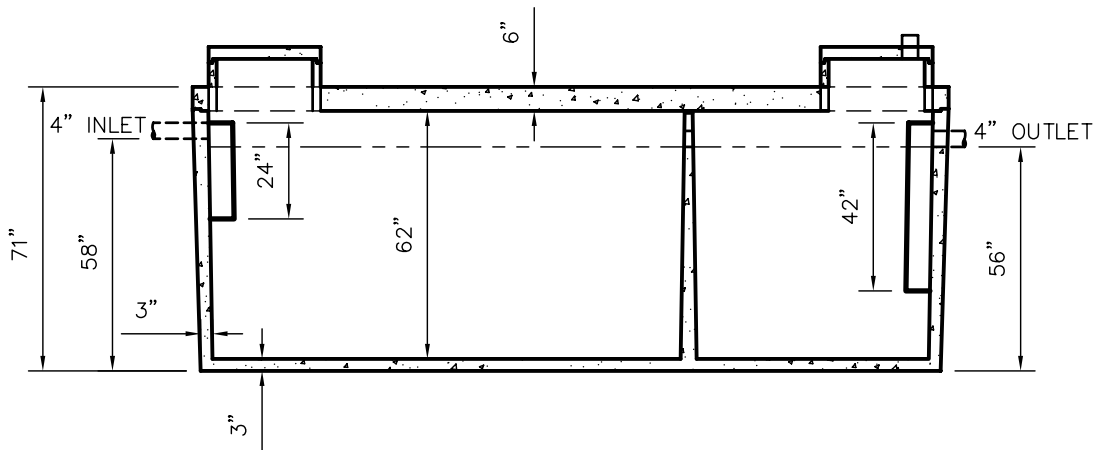
- INLET AND OUTLET Baffle AND FILTER:
- WISCONSIN, SEE DETAIL #10

LIQUID CAPACITY: 57.11 GAL/IN

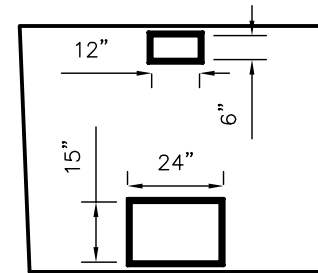
LOADING DESIGN: 8' 0" UNSATURATED SOIL

TANK CAN BE USED AS:

GREASE INTERCEPTOR



SIDE VIEW



CENTER WALL DETAIL

**CUSTOMIZED TANKS:**

TANKS CAN BE CUSTOMIZED CONTACT WIESER CONCRETE

TANKS ARE MANUFACTURED TO MEET OR EXCEED ASTM C-1227 REQUIREMENTS

SCALE: 1/4" = 1'	REV NO.	DATE:	
DRAWN BY: SWT			
DATE: JANUARY 2008			
FILE: W3000GI-FDL			
<b>WIESER CONCRETE</b>			
W3716 US HWY10. MAIDEN ROCK, WI 54750			
800-325-8456			
W3000GI-FDL	SEPTIC MANUAL		
	REV. JAN. 2008		
SHEET NO.			
0	OF		
0			